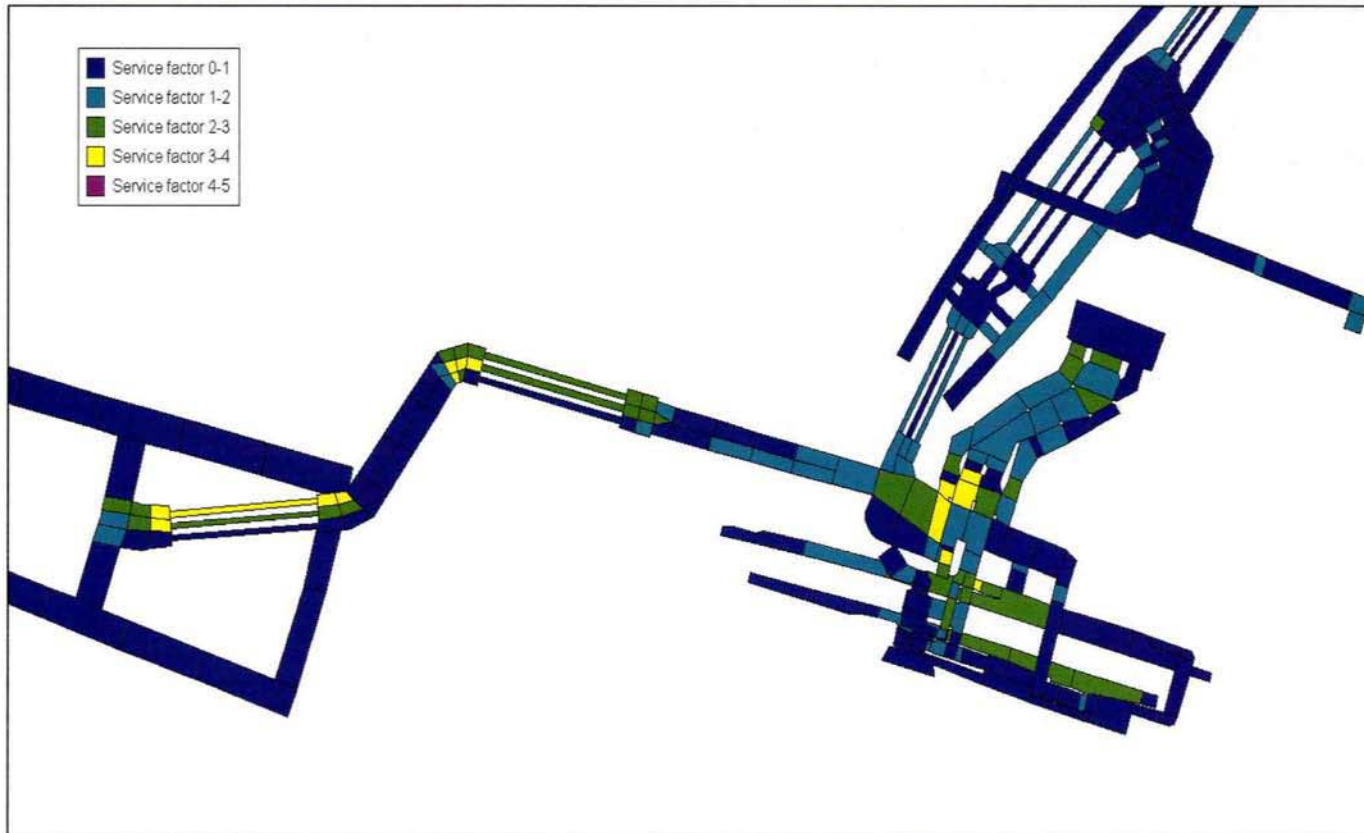


Ticket Hall B gateline AM Peak 3-hour flows – With Crossrail



Test	Description	2-way flow	From / 2-way Crossrail flow
1	With Crossrail (5,300)	33,000	3,600 / 7,100
2	With Crossrail (5,300 + 35%)	44,960	4,860 / 9,590
3	With Crossrail (8,850)	36,850	7,150 / 10,650
4	With Crossrail (8,850 + 35%)	49,750	9,650 / 14,380
5	With Crossrail (14,500)	42,500	12,800 / 16,300
6	With Crossrail (14,500 + 35%)	57,380	17,280 / 22,010

With Crossrail (14,500) with existing Ticket Hall 08:45 -



With Crossrail (14,500 + 35%)
with gateline renewal 08:45 -

